

# **EXHIBIT O**

Home > Security Cameras > 4K Security Cameras > 4K Vandal Resistant Dome Security Camera

**HDCVI**  
 HD over coax



**Sale**

### 4K Vandal Resistant Dome Security Camera

SKU: 4K40

Write a Review

Ask a Question

~~\$199.99~~  
**On Sale: \$149.99**

Availability: In stock

Power Adaptor \*

Select a power adaptor if you do not have a 12V DC power adaptor or power supply already.

None

Cabling

Select cabling for your camera. This camera only has a small 4 inch pigtail on it, which has a BNC video out and a 12V DC jack.

None

Optional Mounts

You can choose from the following optional brackets to aid in installation.

- Junction Box for Dome Cameras + \$23.10
- Wall Mount Arm Bracket for Security Cameras + \$30.00
- Pole Mount Bracket Mini + \$30.00
- Recessed Mount for Dome Cameras + \$30.00

Add to Cart Qty: 1

Looking for a system?

Try our Custom Security Camera System configurator!

Start

Questions?

(716) 229-0080

Email

We'll respond to every email

2 YEARS WARRANTY

24/7 SUPPORT

2019 Quality

- Related
- 4K Security Camera Bullet  
 \$159.99  
 On Sale: \$125.89
  - 4K Turret Dome Camera, Built-in Mic  
 \$159.99  
 On Sale: \$139.99
  - 4K Security Camera with Zoom, HDCVI  
 \$399.99  
 On Sale: \$299.99
  - 4K Dome Security Camera with Zoom, 24VAC 12VDC Dual Voltage  
 \$319.99  
 On Sale: \$239.99

- Most orders get shipped within 2-3 business days after order is placed. Special order items require additional time.
- Call us now for more info about our CCTV products.
- 30 Day Return Policy.
- Free Lifetime Tech Support on products purchased from us!

Description | More | Reviews | Product Questions

8MP 4K video resolution is no longer limited to IP cameras. With CCTV Camera World's new 4K 8MP line of HDCVI cameras you can expect state of the art HD security cameras over coax without having to change existing coaxial cabling. This 8MP Dome Camera works with RG59U coax cabling from a roll. Note that cheap pre-made siamese wire that is thin wire will not support HD over coax cameras. This 4K HD camera requires a compatible 4K security DVR to decode the video stream and provides up to 15fps at 4K depending on the specifications of the recorder.

This dome security camera captures video at 4K resolution even in low light thanks to the Starlight technology that is part of its 8MP image sensor. This surveillance camera's Starlight technology dynamically adjusts the shutter speed to allow the camera to see color in low light conditions, providing you color night vision. In complete darkness the camera will switch to black & white night vision mode aided by its on-board infrared LEDs.



The camera has one super-IR LED producing infrared night vision up to 100ft for viewing in complete darkness.

The 2.8mm fixed lens provides a 110 degree angle of view that allows for facial clarity up to 50ft away during the day as shown in our security camera buying guide. The Ultra HD 4K footage will give you significantly better clarity than 2K security cameras, which means you can use digital zoom to see further in recorded or live video.

The camera supports actual Wide Dynamic Range (WDR) to minimize glare from different lighting in the foreground and background. There is also an RCA audio-in connector to connect a security camera microphone.

With a weatherproof rating of IP67 and metal design, this 4K HD security camera can operate in virtually any weather. The camera is also vandal and impact resistant to IK10 standards. We recommend it for any ceiling mount installation without needing additional mounting brackets. If you're mounting it to a wall or pole, we suggest using the optional wall mount bracket.

Features

- > 8MP HDCVI Dome Camera
- > Starlight technology for improved color performance in low light
- > 4K 15fps video
- > 1 Super-IR LED provides up to 100ft night vision
- > Smart IR technology to minimize IR glare
- > 2.8mm fixed lens provides 110° angle of view
- > IP67 weatherproof rating
- > Metal construction
- > Wall, ceiling, pole mountable
- > 12V DC 1A power input required
- > One BNC video out
- > HDCVI or Analog CVBS Switchable video output from OSD (requires compatible DVR)
- > 4K Security DVR that is HDCVI compatible is required for use

What's Included?

- > (1) 4K Vandal Resistant Dome Camera 2.8mm Lens

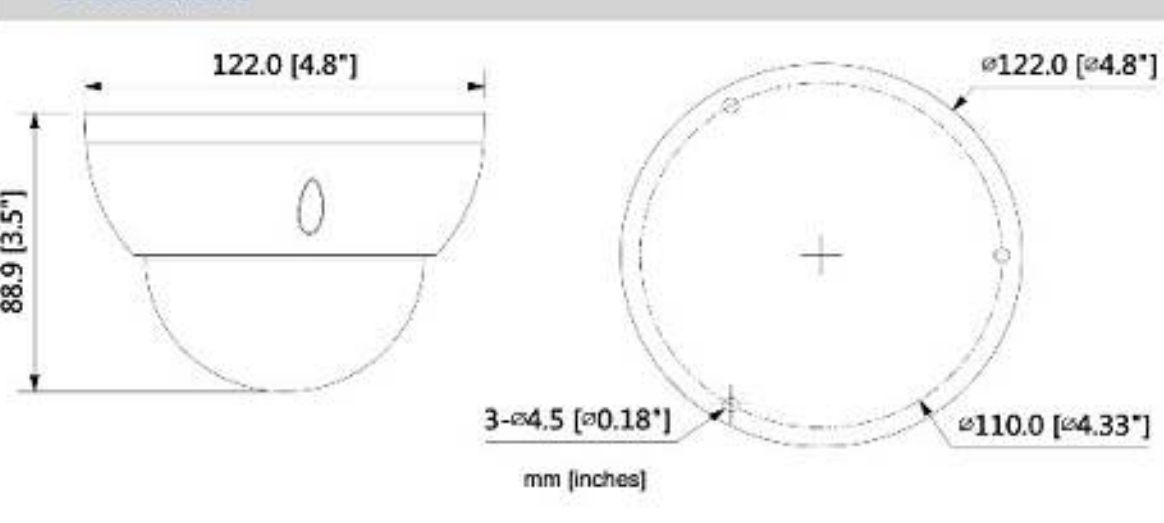
4K HDCVI Camera Pigtail



Optional Mounts Available

Junction Box	In-ceiling Mount
JB137	JB200C
Arm Wall Mount	Pole Mount
JB203W	JB203W + JB152

Dimensions



Specifications

Image Sensor	1/1.8" Progressive Scan CMOS
Resolution	8MP
Effective Pixels	3840 (H) x 2160 (V)
Frame Rate	15fps 4K, 20fps 6MP, 30fps 4MP/1080P/720P
Shutter Speed	1/3s - 1/100,000s
Lens	2.8mm Fixed Lens
Angle of View	110°
Distance to Recognize*	56ft
Distance to Identify*	26ft
Minimum Illumination	0.005 Lux, 0 Lux IR On
IR LEDs	1 Super IR LED
IR Distance	100ft max
IR Control	Auto / Manual
Day/ Night	Auto (ICR) / Manual
Backlight Compensation	BLC / HLC / WDR 120dB
White Balance	Auto, Manual
Noise Reduction	2D/3D
Smart IR	Auto, Manual
Video Connector	1 BNC
Video Signal	HDCVI, CVBS
Audio Input	1 channel-in for external mic
Microphone	None
OSD	Via HDCVI DVR
Operating Temperature	-22°F to +140°F
Weather Resistance	IP67
Vandal Resistance	IK10
Construction	Aluminum
Dimensions	4.8" x 3.5" (diameter x height)
Power	12VDC 7W
Certifications	UL, FCC, CE

\*Distance is calculated based on sensor specifications and lab test results according to EN 62676-4 guidelines for security cameras which defines the criteria for recognition and identification.

Resources | Site Map

Return Policy | Account Login

About CCTV Camera World

CCTV Camera World is an established CCTV equipment distributor in the USA with shipping locations nationwide. We test every product we sell to make sure it is worthy of our name, as we stand behind all the products we sell.

Our experts take pride in the work we do and the products we sell. We always welcome customer questions, so feel free to contact us. We are open Monday through Friday, 9AM - 5PM EST.

Follow Us

- > CCTV Camera World Blog
- > Follow Us On Twitter
- > Subscribe to our Google+ page
- > Subscribe to our YouTube channel
- > Interesting Reads

Support

- > Submit Support Question
- > RMA Request Form
- > Download Remote Support
- > Remote Viewing Security Cameras
- > DVR NVR Help
- > IP Camera Help
- > Port Forwarding Guides

Contact Us

- Sales (877) 522-8836
- Support (716) 229-0080
- Email us
- CCTVCameraWorld Blog
- CCTV Camera Videos